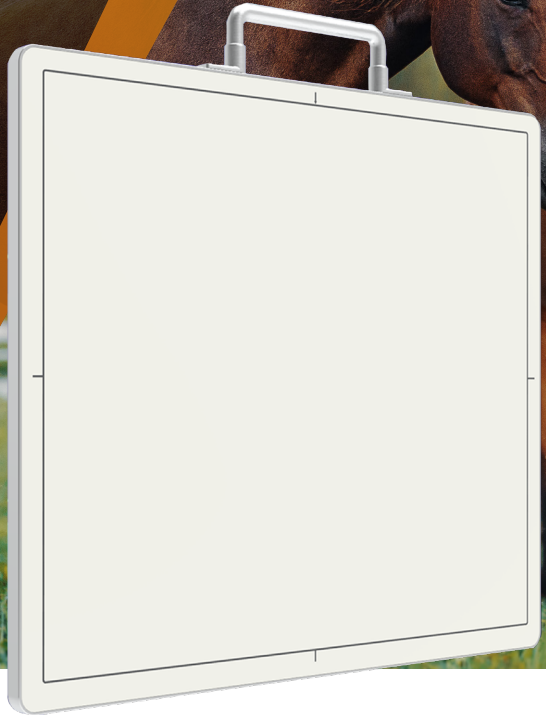


DR ^{10x12} Wizard EZ

10"x12" Wireless DR Flat Panel System

High-performance, cassette-sized flat panel designed specifically for equine practitioners.



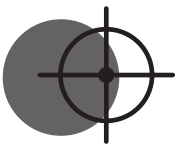
Light & Robust Design with IP54

Carbon, Alloy frame promises a high level of endurance while maintaining ultra-light weight. And the IP 54 rating prevents any leakage of dust or liquids.



Fast, High-Quality Images

Unique wireless communication protocol ensures fast and reliable transmission of full resolution images within 2 seconds.



Enhanced AED®

Highly sensitive AED function, the detector can be easily connected to and synchronized with any kind of generator.

ABOUT

Diagnostic Imaging Systems

Diagnostic Imaging Systems (DIS) has been providing quality imaging products at the best possible possible prices since 1983. DIS products are specifically tailored to match all your practice needs.



www.vetxray.com

Contact us:

605.341.2433

scott@vetxray.com

2325 E. Saint Charles St.
Rapid City, SD 57703

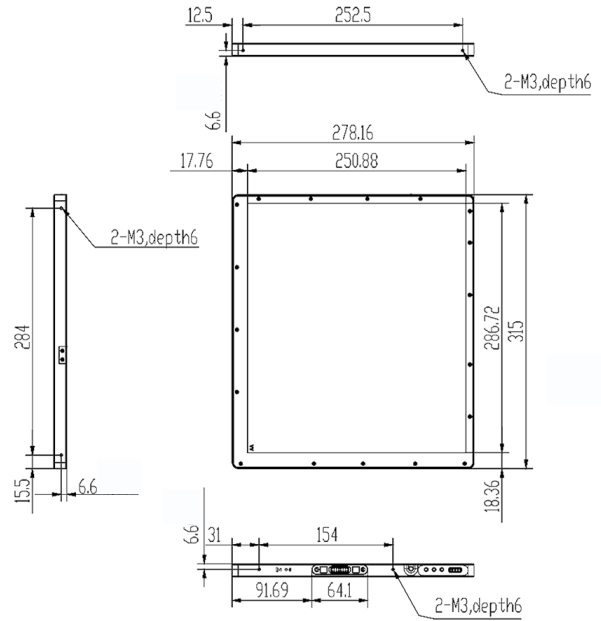
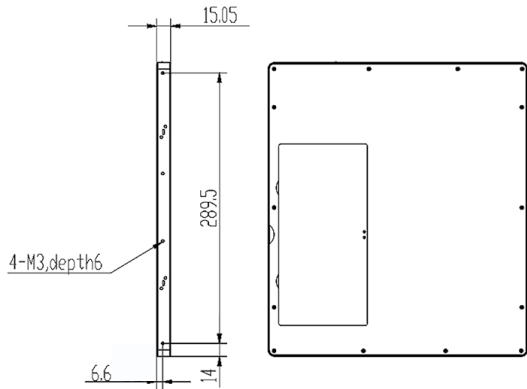


DIAGNOSTIC IMAGING SYSTEMS

QUALITY | INTEGRITY | VALUE...privately owned since 1983



DR **10x12** Wizard **EZ**



Specifications

Conversion Screen (Scintillator)	CsI
TFT Panel	a-Si
Pixel Pitch	139 μ m
Image Data (AD conversion)	Pure 16 bit
Image Resolution	2,048 x 1,792
Image Size	10" x 12"
Minimum Detectable Dose	14nGy
Maximum Linear Dose	110 μ Gy
Spatial Resolution	3.6LP/mm
X-Ray Voltage Range	40 ~ 150kVp
Image Acquisition Time	1~2s
Data Interface	GigE/802.11ac
Battery Standby Time	5H
Adapter Input	AC100-240V, 50-60Hz
Adapter Output	DC24V, 60W
Power Dissipation	20W
Dimensions	12.40" x 10.94" x 0.59"
Weight (wireless / Wired)	4.189 lbs / 3.527 lbs
Operating Environment	5-35°C, 10-75%RH
Water Tightness	IP54



DIAGNOSTIC
IMAGING SYSTEMS

QUALITY | INTEGRITY | VALUE...privately owned since 1983

www.vetxray.com

Contact us:

605.341.2433
scott@vetxray.com
2325 E. Saint Charles St.
Rapid City, SD 57703

