

# POSKOM VET-20BT

## Hybrid Battery Powered Portable X-Ray Unit

The Hybrid Battery Portable VET-20BT, designed for equine practitioners, seamlessly switches between Line Voltage and Battery Power. With a high capacity, it enables up to 300 exposures on a single charge and offers quick, easy battery replacement for efficient use in veterinary settings.

**1 YEAR  
WARRANTY**



### ■ Max. 300 exposures by one charging

The greatest capacity storage enables maximum 300 exposures by one full charging of battery. Energy balance indicator displays the time for battery charging and recognition LED will be lighted in case of full charge.

### ■ Brilliant diagnostic images by high frequency technology

Superior high frequency inverter type generator realizes strong power output and brilliant clinical images, Well designed controller maintains stable mA and kVp feedback without errors against frequent exposures and secures distinguished reproducibility of x-rays.

### ■ R/F Wireless communication

Without connecting cable from portable equipment to DR detector, R/F communication module gives ready and exposure signals to TFT detector.

### ■ Composition

VET-20BT with RF module + TFT Detector + Workstation composed of TFT box, UMPC and RF module.

## ABOUT Diagnostic Imaging Systems

Diagnostic Imaging Systems (DIS) has been providing quality imaging products at the best possible possible prices since 1983. DIS products are specifically tailored to match all your practice needs.



[www.vetxray.com](http://www.vetxray.com)

Contact us:

605.341.2433  
scott@vetxray.com  
2325 E. Saint Charles St.  
Rapid City, SD 57703



**DIAGNOSTIC  
IMAGING SYSTEMS**

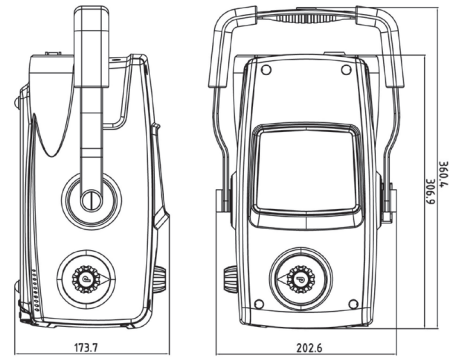
QUALITY | INTEGRITY | VALUE...privately owned since 1983



# POSKOM VET-20BT



Dimensions



## Specifications

<b>Max Output Power</b>		<b>1.6kW</b>	
<b>Battery</b>		<b>Lithium-ion polymer Battery</b>	
<b>Radiography kV Range in 1kV steps</b>	<b>Tube Voltage</b>	<b>Tube Current</b>	<b>mAs</b>
	<b>50KV ~ 80kV</b>	<b>20mA</b>	<b>0.4 ~ 3.2</b>
	<b>50KV ~ 80kV</b>	<b>10mA</b>	<b>3.6 ~ 20</b>
	<b>81KV ~ 90kV</b>	<b>15mA</b>	<b>0.4 ~ 3.2</b>
	<b>81KV ~ 90kV</b>	<b>8mA</b>	<b>3.6 ~ 20</b>
<b>MAs Range</b>		<b>0.4 ~ 20mAs in 25steps</b>	
<b>Max. kV Deviation</b>		<b>±1 %</b>	
<b>Max. mAs Deviation</b>		<b>±3 %</b>	
<b>Display</b>		<b>kV (error code) / mAs: 7-segment LED</b>	
<b>X-ray Tube</b>	<b>Model Name</b>	<b>D0814</b>	
	<b>Focal Spot</b>	<b>1.2mmx1.2mm</b>	
	<b>Target Angle</b>	<b>19 degree</b>	
	<b>Anode Heat Storage</b>	<b>10 kJ</b>	
<b>Total Filtration</b>		<b>2.5 mm Al eq. @ 90kV</b>	
<b>Collimator with Laser Pointer</b>	<b>Min. X ray Field Size</b>	<b>0cm x 0cm @65cm SID</b>	
	<b>Max X ray Field Size</b>	<b>35cm x 35cm @ 65cm SID</b>	
	<b>Timer</b>	<b>Push button illuminator with 30 sec timer</b>	
	<b>Lamp</b>	<b>5mW Laser</b>	
<b>Weight</b>		<b>15 lbs</b>	



**DIAGNOSTIC  
IMAGING SYSTEMS**

QUALITY | INTEGRITY | VALUE...privately owned since 1983

www.vetxray.com

Contact us:

605.341.2433  
scott@vetxray.com  
2325 E. Saint Charles St.  
Rapid City, SD 57703

