

# Image-Vet ISDC

## Intraoral Dental X-Ray Generator

Image Works Veterinary ISDC technology represents the latest generation in the series of Image-Vet™ X-Rays. Image-Vet Intraoral Veterinary Dental X-Ray Generators sets the standard for veterinary dental radiography.



### - Best Image First Time Every Time

0.4 mm focal point means that you're getting the sharpest image in the industry.

### - Complete Studies Faster

Ultra high-precision arm design allows ease of movement and motionless stability.

### - Reduced Dosage

Patented shielding creates uniquely low radiation vs. other wall mounted x-rays.

### - Rock Solid Quality

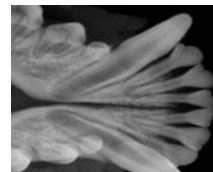
Life-cycle tested both mechanically and electrically over 200,000 cycles, assuring the unit will last a long time.

### - Wall Mount

Multiple arm length and mounting options available to customize for your unique needs

Choose from either Wall Mount or Mobile.

The mobile unit is precisely balanced for safe, quick transport and convenience.



**DIAGNOSTIC**  
**IMAGING SYSTEMS**

QUALITY | INTEGRITY | VALUE...privately owned since 1983

[www.vetxray.com](http://www.vetxray.com)

Contact us:

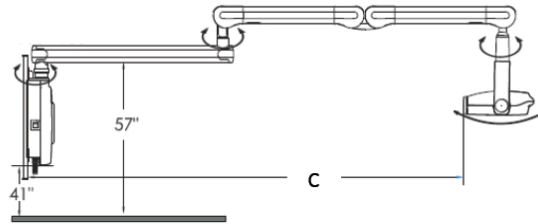
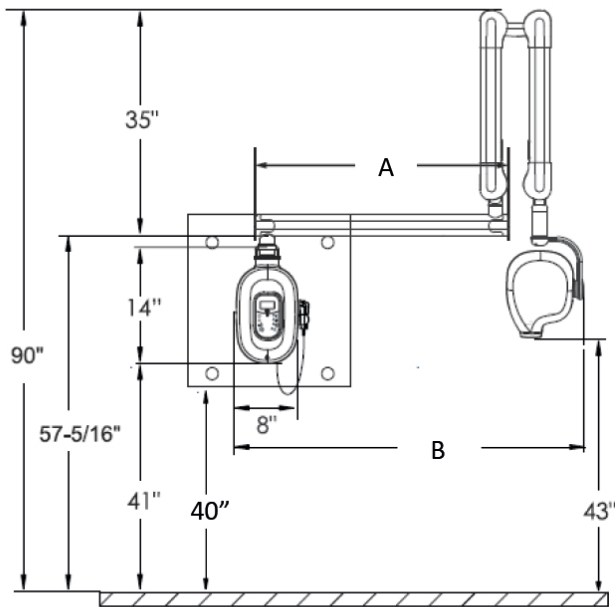
605.341.2433

scott@vetxray.com

2325 E. Saint Charles St.  
Rapid City, SD 57703



# Image-Vet ISDC



## - No Need to Train New Staff

- The intuitive interface makes operation so simple, even your least-experienced staff member will have no trouble. No training. No mistakes.
- Adjustable High Frequency: 55 - 70kV / 4 - 8 mA with thirty preprogrammed technique settings.

## - ISDC Mobile

- All the performance of the wall mounted unit with the freedom to move.
- One unit for multiple operatories: Make your x-ray unit work for you by leveraging your investment across many different operatories.
- Small Footprint: Compact design fits in many tight spaces.
- Appropriate selections of kV and mA are automatically determined by tooth selection and patient size.
- Reduces harmful soft radiation, compared to conventional AC type machines.

## Specifications:

Line Voltage	110V + 10% 60Hz
Line Current	8A
Tube Potential	60 - 70kVp
Tube Current	4 - 8mA
Exposure Time	0.04-4s
Min. Inherent Filtration	2.5mm Al Eqv @ 70kVp
Focal Spot	0.4mm IEC 60336
Duty Factor	1:15
Ship Weight (Wall Mount)	100 lbs
Ship Weight (Mobile)	170 lbs



www.vetxray.com

Contact us:

605.341.2433  
 scott@vetxray.com  
 2325 E. Saint Charles St.  
 Rapid City, SD 57703



**DIAGNOSTIC**  
**IMAGING SYSTEMS**

QUALITY | INTEGRITY | VALUE...privately owned since 1983

