

# ELITE Wireless

## Intra-oral Dental X-ray Sensor

Get rid of the shackles of cables and bring optimal digital imaging to your practice with the Elite Wireless Dental Sensor.



- APS CMOS Technology
- Smart AED - fast workflow
- Direct Deposited CSI - Lower dose imaging
- Wireless Data Transmission
- Ergonomic Design
- IP68 - Durable materials



Pair with the Elite Dental for a completely wireless experience



**DIAGNOSTIC  
IMAGING SYSTEMS**

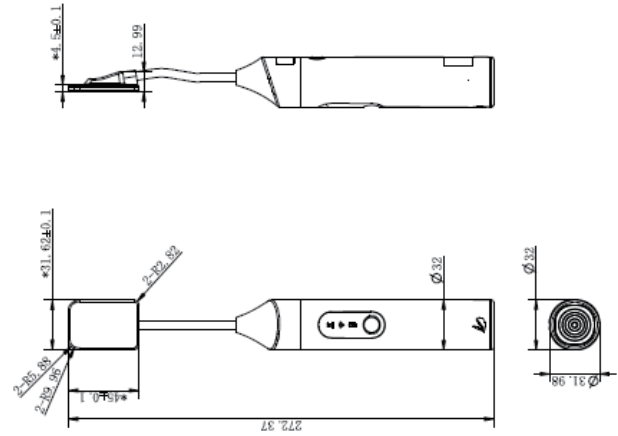
QUALITY | INTEGRITY | VALUE...privately owned since 1983

[www.vetxray.com](http://www.vetxray.com)

Contact us:

605.341.2433  
scott@vetxray.com  
2325 E. Saint Charles St.  
Rapid City, SD 57703





## Specifications

Dimensions	32.0 × 31.0 × 272.0
Active Area (mm <sup>2</sup> )	26 × 36
Pixel Matrix	(2.34 M) 1300 × 1800
Sensor Technology	APS CMOS
Scintillator	Directly deposited CsI:TI
Pixel Pitch (µm)	20
Battery Autonomy (h)	5
WIFI	2.4G and 5.8G, IEEE802.11 a/b/g/n
Weight (kg)	0.13
Spatial Resolution (lp/mm)	Theoretical: 25 lp/mm Actual: 14 ~ 16 lp/mm (High Sensitivity) 18 ~ 20 lp/mm (High Resolution)
Gray Level	16 bit, 65535 grade
Exposure Mode	Smart AED
Ingress Protection of sensor	IP68 for Soak disinfection
Operation System	Windows 7 and above, 32 / 64 bit
Operating Temperature (°C)	10 ~ 40
Storage & Transport Temperature with Package (°C)	-20 ~ 55
Operating Humidity (% RH)	20 ~ 90 (Non-Condensing)
Storage & Transport Humidity with Package (% RH)	10 ~ 95 (Non-Condensing)

